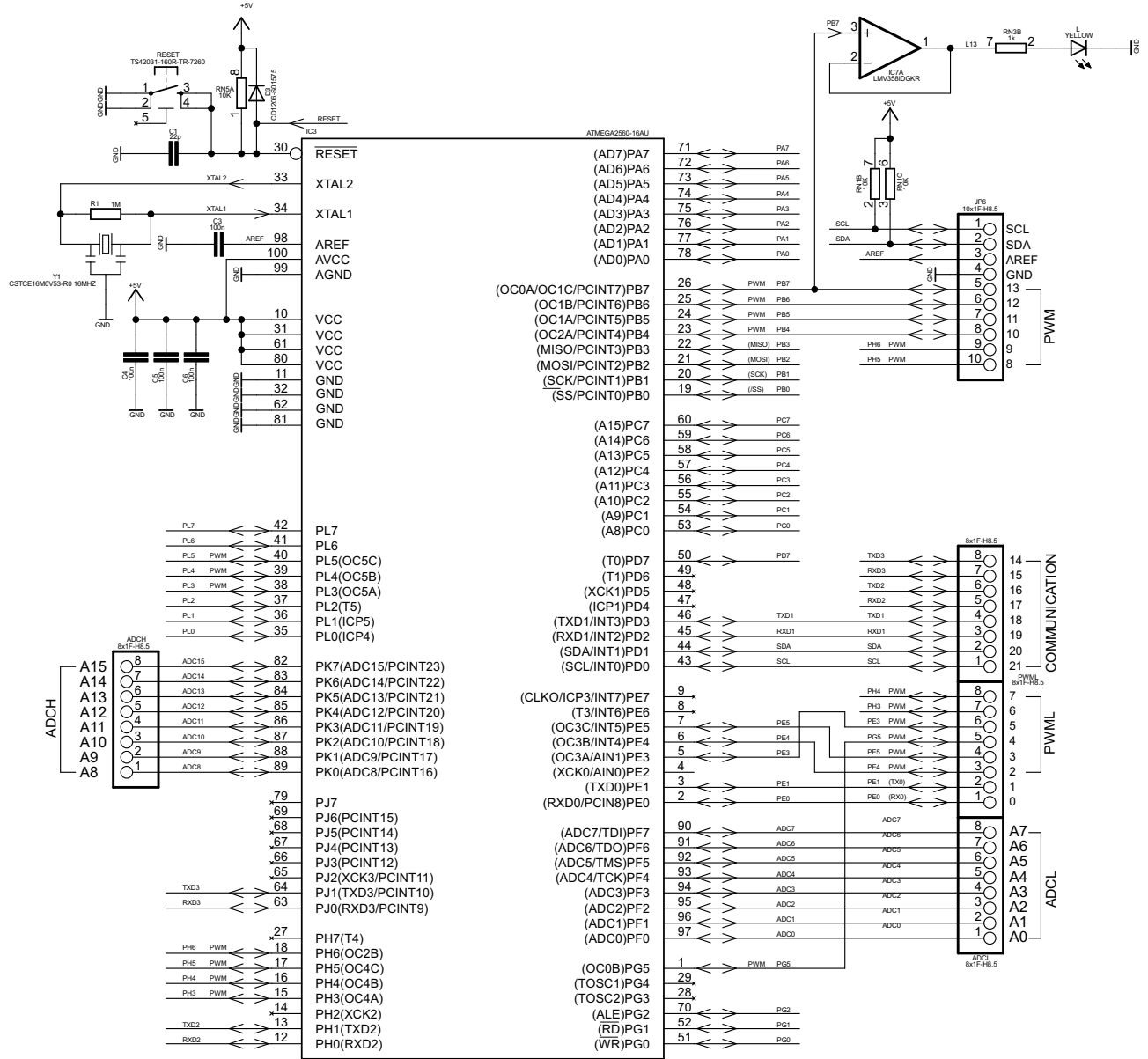
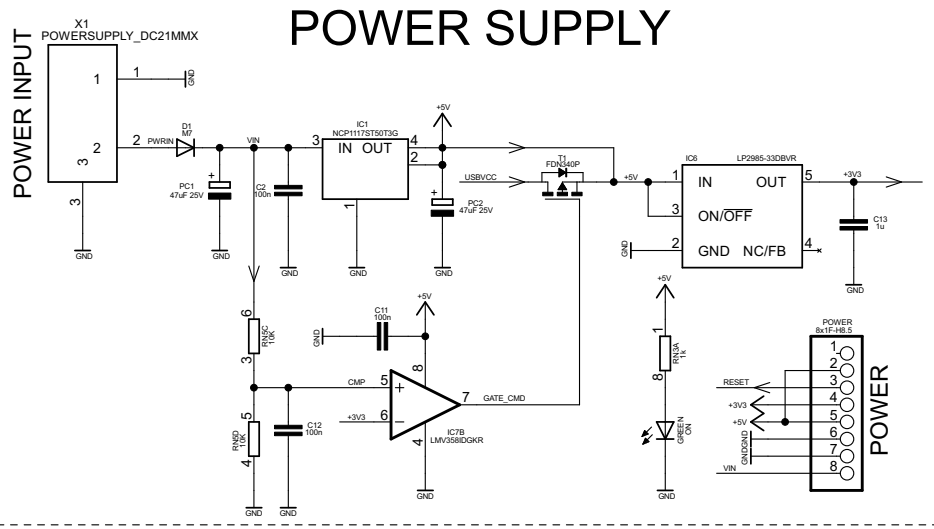
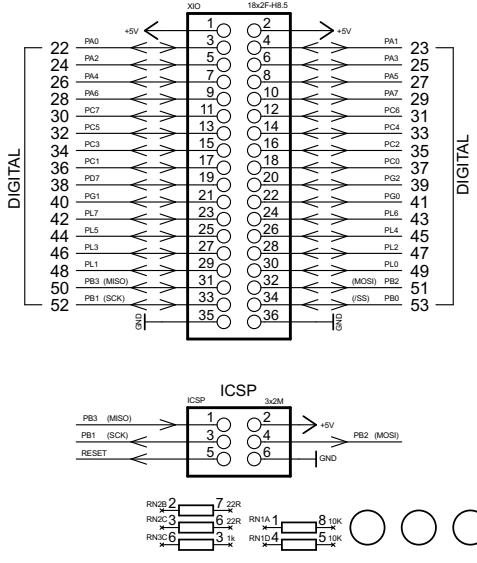
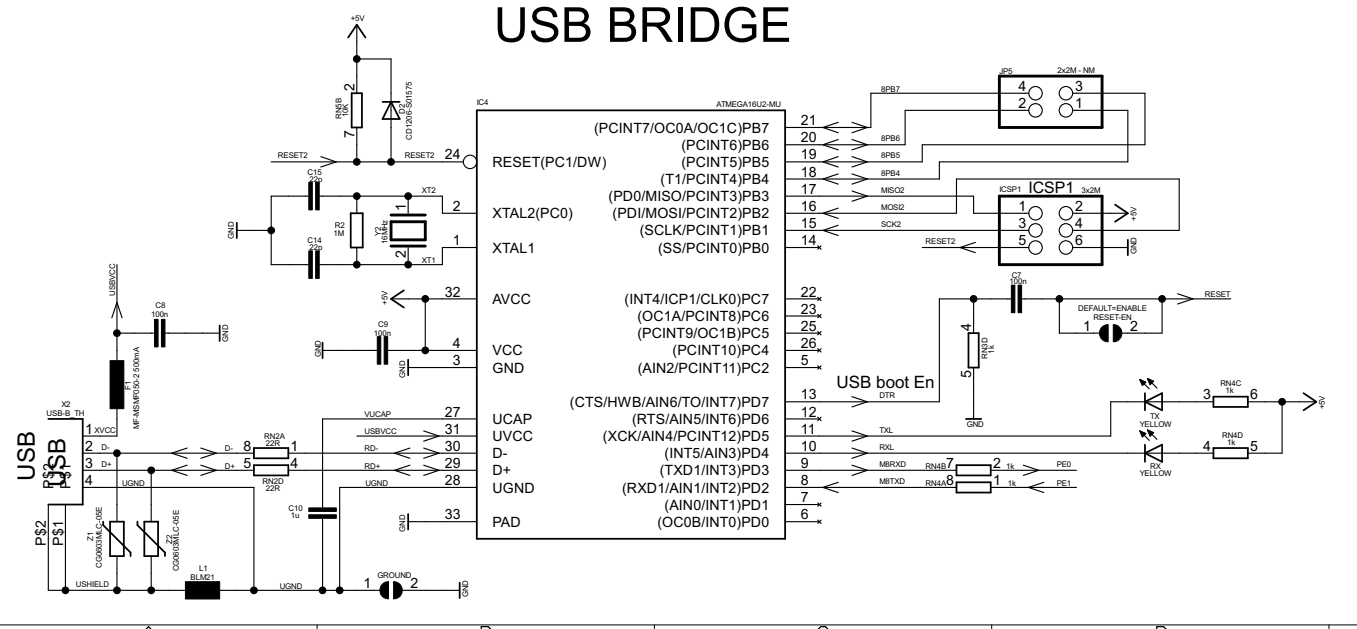


POWER SUPPLY



USB BRIDGE



Arduino™ MEGA 2560



SCHEMATIC:MEGA_2560-Rev3
 NAME:MEGA 2560 REV3
 REF.:MEGA 2560 | REV.:3
 DATE: 03/11/2014 10:39:42
 PAGE: 1/1 A3H-ARDUINO

Reference Designs ARE PROVIDED "AS IS" AND "WITH ALL FAULTS." Arduino DISCLAIMS ALL OTHER WARRANTIES, EXPRESS OR IMPLIED, REGARDING PRODUCTS, INCLUDING BUT NOT LIMITED TO, ANY IMPLIED WARRANTIES OF MERCHANTABILITY OR FITNESS FOR A PARTICULAR PURPOSE. Arduino may make changes to specifications and product descriptions at any time, without notice. The Customer must not rely on the absence or characteristics of any features or instructions marked "reserved" or "undefined." Arduino reserves these for future definition and shall have no responsibility whatsoever for conflicts or incompatibilities arising from future changes to them. The product information on the Web Site or Materials is subject to change without notice. Do not finalize a design with this information. ARDUINO is a registered trademark.